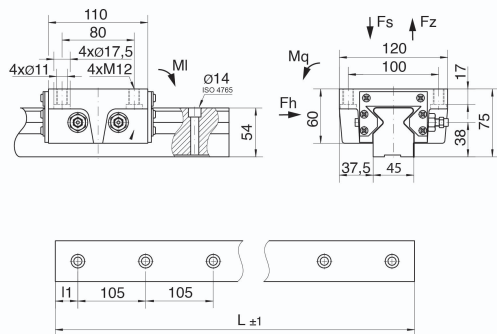


LG-041, slide block

LG-041, slide block



Product discription:

LG-041, slide block

Article properties:

Self-lubricating	Yes
Lubricant	Graphite
Base Material	Special Brass (SO#50SP2)

Variants:

Articlenumber	Article name	F_s (kN)	F_z (kN)	F_h (kN)	M_q (Nm)	MI (Nm)
70410000	LG-041-H	36	36	29	690	1380