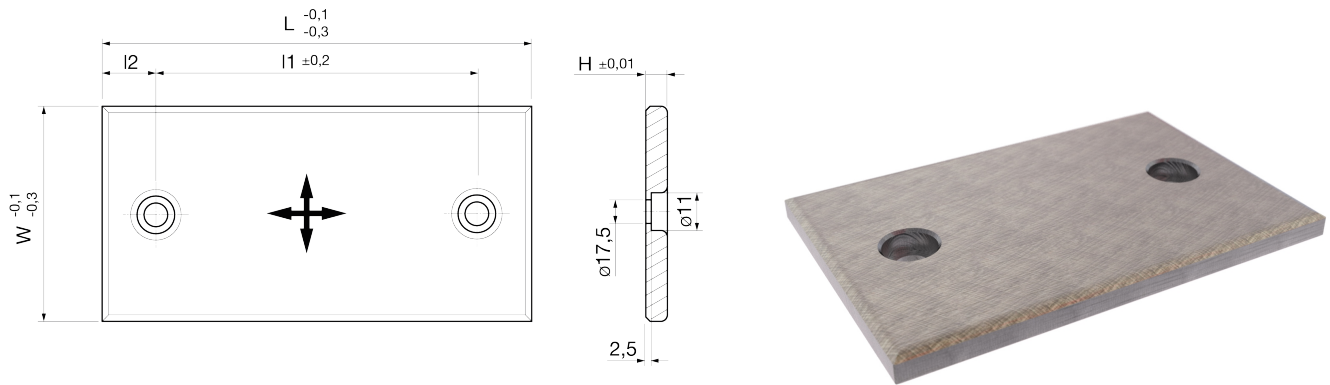


TWXT

Guide plate with sintered sliding layer, self lubricating



Product discription:

Guide plate with sintered sliding layer, self lubricating

Article properties:

Sliding speed v	30 m/min
Base Material	Stahl mit Sintergleitschicht (SO#220)
Self-lubricating	Yes
Lubricant	Graphite
Surface Pressure P	40 N/mm ² , 500 N/mm ²
P*v-value	100 N/mm ² x m/min
Operating temperature	-40°C / +120°C
Friction coefficient	0,095

Variants:

Articlenumber	Article name	Width W	Length L	Height H	l1	l2	M (ISO 7984)
2774100100	TWXT 100x100	100	100	10	50	25	2xM10
2774100125	TWXT 100x125	100	125	10	75	25	2xM10
2774100150	TWXT 100x150	100	150	10	100	25	2xM10
2774100200	TWXT 100x200	100	200	10	150	25	2xM10
2774100250	TWXT 100x250	100	250	10	200	25	2xM10
2774125125	TWXT 125x125	125	125	10	75	25	2xM10
2774125150	TWXT 125x150	125	150	10	100	25	2xM10
2774125200	TWXT 125x200	125	200	10	150	25	2xM10
2774125250	TWXT 125x250	125	250	10	200	25	2xM10
2774150150	TWXT 150x150	150	150	10	100	25	2xM10
2774150200	TWXT 150x200	150	200	10	150	25	2xM10
2774150250	TWXT 150x250	150	250	10	200	25	2xM10