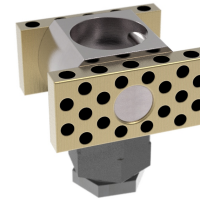
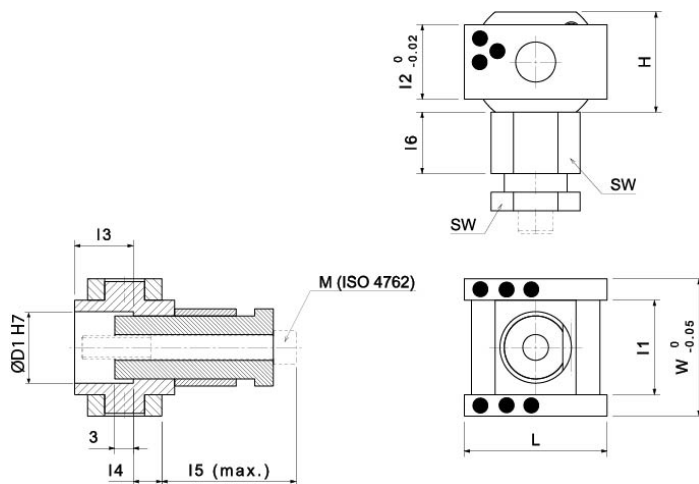


# KPH-M

Slide part for ejector core unit with adjustment screw



## Product description:

Slide part for ejector core unit with adjustment screw

## Article properties:

|                       |                               |
|-----------------------|-------------------------------|
| Self-lubricating      | Yes                           |
| Sliding speed v       | 30 m/min                      |
| P*v-value             | 200 N/mm <sup>2</sup> x m/min |
| Lubricant             | Graphite                      |
| Friction coefficient  | 0,07                          |
| Operating temperature | -50°C / +200°C (max. 300°C)   |
| Surface Pressure P    | 100 N/mm <sup>2</sup>         |
| Base Material         | Stahl (Bolzenaufnahme)        |

## Variants:

| Articlenumber | Article name | Width W | Length L | Height H | D1 | I1 | I2 | I3   | I4 | I5   | I6   | SW      | M (ISO 4762) |
|---------------|--------------|---------|----------|----------|----|----|----|------|----|------|------|---------|--------------|
| 26008016      | KPH-M 16     | 36      | 45       | 24       | 16 | 21 | 24 | 15   | 9  | 41   | 21   | 14 / 17 | M8           |
| 26008020      | KPH-M 20     | 43      | 45       | 30       | 20 | 28 | 24 | 18   | 9  | 46   | 21   | 19 / 22 | M10          |
| 26008025      | KPH-M 25     | 48      | 50       | 35       | 25 | 33 | 26 | 20,5 | 10 | 51   | 21,5 | 22 / 27 | M12          |
| 26008030      | KPH-M 30     | 55      | 60       | 38       | 30 | 38 | 30 | 22   | 12 | 55   | 26   | 27 / 32 | M12          |
| 26008035      | KPH-M 35     | 64      | 70       | 40       | 35 | 44 | 34 | 23   | 14 | 56   | 28   | 32 / 36 | M12          |
| 26008040      | KPH-M 40     | 72      | 80       | 43       | 40 | 50 | 38 | 24,5 | 16 | 60,5 | 29   | 38 / 41 | M16          |