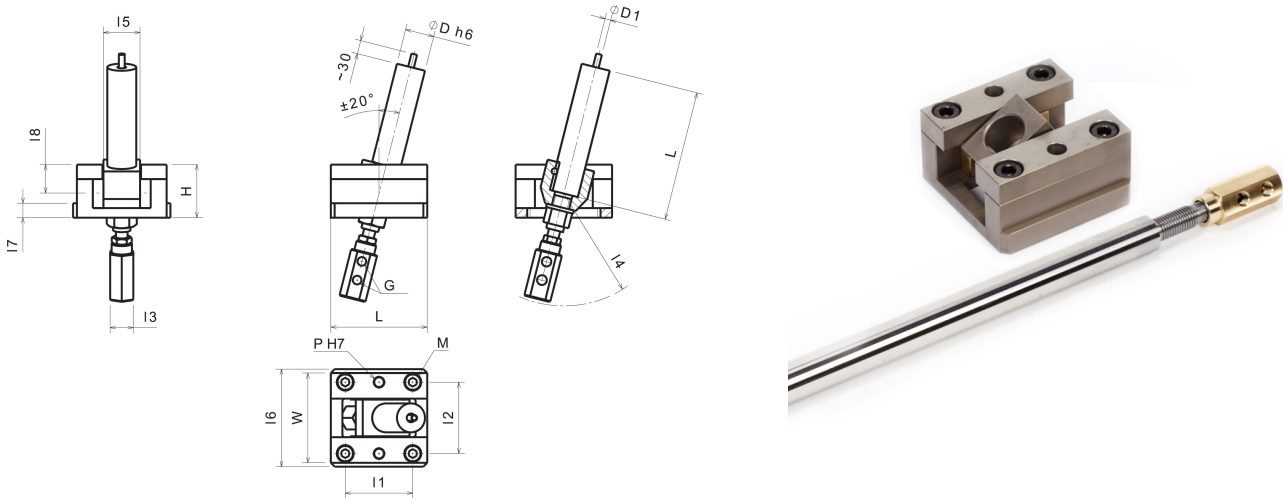


KOCU-K

Inclined ejector unit, bolt included KOCU-K 35/40/45 up to max 905mm on request



Product description:

Inclined ejector unit, bolt included
KOCU-K 35/40/45 up to max 905mm on request

Article properties:

Self-lubricating	Yes
Lubricant	Graphite

Variants:

Articlenumber	Article name	Bolt Ø D	Width W	Length L	Bolt length L	Height H	D1	I1	I2	I3	I4	I5	I6	I7	I8	M (ISO 4762)	G	P (ISO 8734)	Stroke
26006012N450	KOCU-K 12-450	12	51	50	450	32	4	35	39	19	63	17	57	7	18	4xM6	M10x1	2xø6	17
26006016N450	KOCU-K 16-450	16	58	65	450	36	6	40	46	24	74	22	65	8	20	4xM6	M10x1	2xø6	23
26006016N950	KOCU-K 16-950	16	58	65	950	36	6	40	46	24	74	22	65	8	20	4xM6	M10x1	2xø6	23
26006020N440	KOCU-K 20-440	20	72	80	440	42	6	55	56	24	74	26	80	11	23	4xM8	M10x1	2xø8	28
26006020N940	KOCU-K 20-940	20	72	80	940	42	6	55	56	24	74	26	80	11	23	4xM8	M10x1	2xø8	28
26006025N435	KOCU-K 25-435	25	85	90	435	50	6	65	66	24	78	32	93	15	28	4xM10	M10x1	2xø10	31
26006025N935	KOCU-K 25-935	25	85	90	935	50	6	65	66	24	78	32	93	15	28	4xM10	M10x1	2xø10	31
26006030N935	KOCU-K 30-935	30	93	100	935	55	6	70	74	24	83	38	101	15	30	4xM10	M10x1	2xø10	40
26006035N905	KOCU-K 35-905	35	110	120	905	62	10	80	85	46	116	45	120	15	35	4xM12	M10x1	2xø10	45
26006040N905	KOCU-K 40-905	40	120	135	905	70	10	90	95	46	116	55	130	15	40	4xM12	M10x1	2xø10	50
26006045N905	KOCU-K 45-905	45	130	150	905	80	10	110	105	46	116	60	140	15	45	4xM12	M10x1	2xø10	55