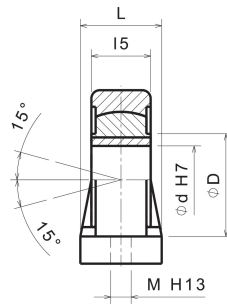
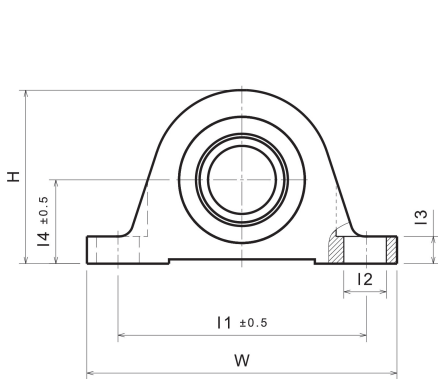


BOS-11

Spherical bearing, self lubricating



Product discription:

Spherical bearing, self lubricating

Article properties:

Base Material	Special Brass (SO#50SP2)
Self-lubricating	Yes
Lubricant	Graphite
Surface Pressure P	100 N/mm ²
Sliding speed v	30 m/min
P*v-value	200 N/mm ² x m/min
Operating temperature	-50°C / +200°C (max. 300°C)
Friction coefficient	0,07

Variants:

Articlenumber	Article name	Inner Ø d	Outer Ø D	Width W	Length L	Height H	I1	I2	I3	I4	I5	M (DIN EN 20273)	Max. load (Housing) (kN)
63511010	BOS-11-10	10	33,3	102	25	56	76	13	10	28,6	15	2xM8	4,32
63511012	BOS-11-12	12	33,3	102	25	56	76	13	10	28,6	15	2xM8	4,32
63511015	BOS-11-15	15	33,3	102	25	56	76	13	10	28,6	15	2xM8	4,32
63511020	BOS-11-20	20	39,7	124	32	65	95	16	13	33,3	20	2xM10	7,7
63511025	BOS-11-25	25	39,7	124	32	65	95	16	13	33,3	25	2xM10	7,7
63511030	BOS-11-30	30	51	159	41	81	122	22	16	41,3	30	2xM12	9,55
63511035	BOS-11-35	35	60,3	183	48	102	137	22	16	49,2	35	2xM12	17,3
63511040	BOS-11-40	40	60,3	183	48	102	137	22	16	49,2	40	2xM12	17,3
63511045	BOS-11-45	45	73	194	54	113	152	22	16	54	45	2xM12	23
63511050	BOS-11-50	50	79,3	214	57	122	168	22	19	61,9	50	2xM16	25
63511055	BOS-11-55	55	83	251	64	135	197	22	22	66,7	55	2xM16	30,5
63511060	BOS-11-60	60	83	251	64	135	197	22	22	66,7	60	2xM16	30,5
63511080	BOS-11-80	80	108	295	89	175	235	27	32	87,3	80	2xM20	45,5
63511090	BOS-11-90	90	130	330	102	206	279	30	32	101,6	80	2xM20	74,5
63511100	BOS-11-100	100	130	330	102	206	279	30	32	101,6	80	2xM20	74,5