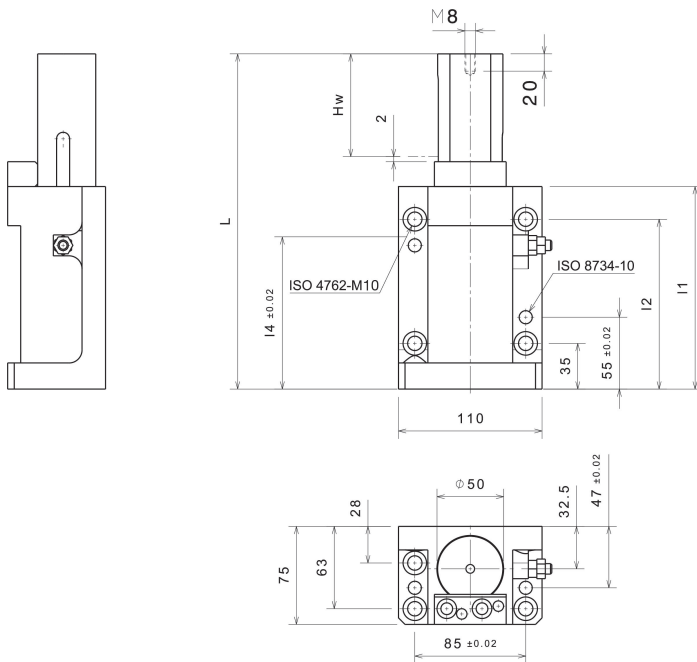


PSY

Lifter for sheet metall, maintenance free



Product discription:

Lifter for sheet metall, maintenance free,
Spring element: G (gas pressure spring) / S (coil spring)

Article properties:

Base Material	Special Brass (SO#50SP2)
Self-lubricating	Yes
Lubricant	Graphite
Surface Pressure P	100 N/mm ²
Sliding speed v	30 m/min
P*v-value	200 N/mm ² x m/min
Operating temperature	-50°C / +200°C (max. 300°C)
Friction coefficient	0,07

Variants:

Articlenumber	Article name	Length L	Stroke Hw	I1	I2	I3	Starting Force (N)	Maximum Force (N)	Spring
75210050050	PSY 050-G-50	196	50	125	100	80	500	650	G
75210050100	PSY 050-G-100	196	50	125	100	80	1000	1350	G
75210050150	PSY 050-G-150	196	50	125	100	80	1500	2000	G
75210050200	PSY 050-G-200	196	50	125	100	80	2000	2600	G
75210051	PSY 050-S-10	196	50	125	100	80	100	850	S
75210080050	PSY 080-G-50	256	80	155	130	110	500	650	G
75210080100	PSY 080-G-100	256	80	155	130	110	1000	1350	G
75210080150	PSY 080-G-150	256	80	155	130	110	1500	2000	G
75210080200	PSY 080-G-200	256	80	155	130	110	2000	2600	G
75210081	PSY 080-S-46	256	80	155	130	110	460	1950	S
75210100050	PSY 100-G-50	296	100	175	150	130	500	650	G
75210100100	PSY 100-G-100	296	100	175	150	130	1000	1350	G
75210100150	PSY 100-G-150	296	100	175	150	130	1500	2000	G
75210100200	PSY 100-G-200	296	100	175	150	130	2000	2600	G
75210101	PSY 100-S-15	296	100	175	150	130	150	1900	S