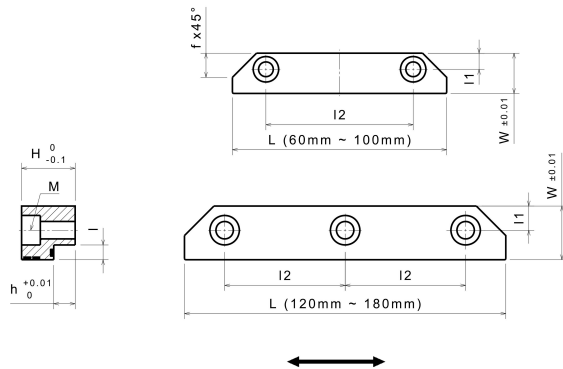


# SGL-SS

L-shaped Plates, steel with solid lubricant



## Product description:

L-shaped Plates, steel with solid lubricant

## Article properties:

Sliding speed v	15 m/min
Base Material	Steel with solid lubricant
Self-lubricating	Yes
Lubricant	Graphite
Surface Pressure P	50 N/mm <sup>2</sup>
P*v-value	100 N/mm <sup>2</sup> x m/min
Operating temperature	-50°C / +150°C

## Variants:

Articlenumber	Article name	Width W	Length L	Height H	h	l	l1	l2	f	M (ISO 4762)
21303500	SGL-SS 15-60-15	15	60	15	8	4,5	6	20	9	2xM5
21303501	SGL-SS 15-80-15	15	80	15	8	4,5	6	55	9	2xM5
21303502	SGL-SS 15-100-15	15	100	15	8	4,5	6	75	9	2xM5
21303503	SGL-SS 20-60-20	20	60	20	8	5,5	9	20	11	2xM6
21303504	SGL-SS 20-80-20	20	80	20	8	5,5	9	50	11	2xM6
21303505	SGL-SS 20-100-20	20	100	20	8	5,5	9	70	11	2xM6
21303506	SGL-SS 20-120-20	20	120	20	8	5,5	9	45	11	3xM6
21303507	SGL-SS 25-80-25	25	80	25	10	7,5	9	45	13	2xM8
21303508	SGL-SS 25-100-25	25	100	25	10	7,5	9	65	13	2xM8
21303509	SGL-SS 25-120-25	25	120	25	10	7,5	9	42,5	13	3xM8
21303510	SGL-SS 25-140-25	25	140	25	10	7,5	9	52,5	13	3xM8
21303511	SGL-SS 30-120-30	30	120	30	15	11	11	40	16	3xM10
21303512	SGL-SS 30-140-30	30	140	30	15	11	11	50	16	3xM10
21303513	SGL-SS 30-160-30	30	160	30	15	11	11	60	16	3xM10
21303514	SGL-SS 30-180-30	30	180	30	15	11	11	70	16	3xM10