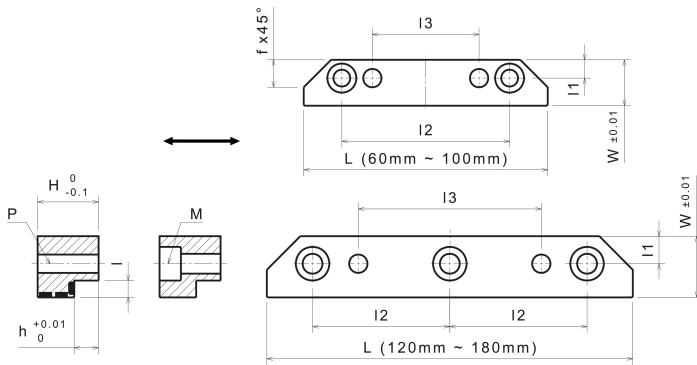


## SGL-BS-P

L-shaped Plates with additional hole for positioning pins, bronze with solid lubricant



### Product discription:

L-shaped Plates with additional hole for positioning pins, bronze with solid lubricant

### Article properties:

Sliding speed v	30 m/min
Base Material	Special Brass (SO#50SP2)
Self-lubricating	Yes
Lubricant	Graphite
Surface Pressure P	100 N/mm <sup>2</sup>
P*v-value	200 N/mm <sup>2</sup> x m/min
Operating temperature	-50°C / +200°C (max. 300°C)
Friction coefficient	0,07

### Variants:

Articlenumber	Article name	Width W	Length L	Height H	h	l	l1	I2	I3	f	M (ISO 4762)	P (ISO 8734)
21303650	SGL-BS-P 15-60-15	15	60	15	8	4,5	6	20	40	9	2xM5	2xø6
21303651	SGL-BS-P 15-80-15	15	80	15	8	4,5	6	55	35	9	2xM5	2xø6
21303652	SGL-BS-P 15-100-15	15	100	15	8	4,5	6	75	55	9	2xM5	2xø6
21303653	SGL-BS-P 20-60-20	20	60	20	8	5,5	9	20	40	11	2xM6	2xø6
21303654	SGL-BS-P 20-80-20	20	80	20	8	5,5	9	50	20	11	2xM6	2xø6
21303655	SGL-BS-P 20-100-20	20	100	20	8	5,5	9	70	40	11	2xM6	2xø6
21303656	SGL-BS-P 20-120-20	20	120	20	8	5,5	9	45	60	11	3xM6	2xø6
21303657	SGL-BS-P 25-80-25	25	80	25	10	7,5	9	45	20	13	2xM8	2xø8
21303658	SGL-BS-P 25-100-25	25	100	25	10	7,5	9	65	40	13	2xM8	2xø8
21303659	SGL-BS-P 25-120-25	25	120	25	10	7,5	9	42,5	60	13	3xM8	2xø8
21303660	SGL-BS-P 25-140-25	25	140	25	10	7,5	9	52,5	80	13	3xM8	2xø8
21303661	SGL-BS-P 30-120-30	30	120	30	15	11	11	40	40	16	3xM10	2xø8
21303662	SGL-BS-P 30-140-30	30	140	30	15	11	11	50	60	16	3xM10	2xø8
21303663	SGL-BS-P 30-160-30	30	160	30	15	11	11	60	80	16	3xM10	2xø8
21303664	SGL-BS-P 30-180-30	30	180	30	15	11	11	70	100	16	3xM10	2xø8