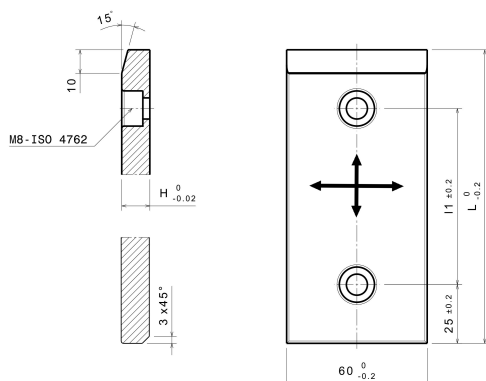


## VSM-S

Slide plate according to VDI 3357, hardened steel



### Product description:

Slide plate according to VDI 3357, hardened steel

### Article properties:

Base Material	Steel, hardened
Self-lubricating	No

### Variants:

Articlenumber	Article name	Width W	Length L	Height H	l1
21954410	VSM-S 30-80	30	80	12	30
21954420	VSM-S 30-100	30	100	12	50
21954430	VSM-S 30-125	30	125	12	75
21954440	VSM-S 30-160	30	160	12	110
21954450	VSM-S 30-200	30	200	12	150
21954460	VSM-S 40-80	40	80	12	30
21954470	VSM-S 40-100	40	100	12	50
21954480	VSM-S 40-125	40	125	12	75
21954490	VSM-S 40-160	40	160	12	110
21954500	VSM-S 40-200	40	200	12	150
21954510	VSM-S 50-80	50	80	12	30
21954520	VSM-S 50-100	50	100	12	50
21954530	VSM-S 50-125	50	125	12	75
21954540	VSM-S 50-160	50	160	12	110
21954550	VSM-S 50-200	50	200	12	150
21954560	VSM-S 60-80	60	80	12	30
21954570	VSM-S 60-100	60	100	12	50
21954580	VSM-S 60-125	60	125	12	75
21954590	VSM-S 60-160	60	160	12	110
21954600	VSM-S 60-200	60	200	12	150
21954610	VSM-S 80-80	80	80	12	30
21954620	VSM-S 80-100	80	100	12	50
21954630	VSM-S 80-125	80	125	12	75
21954640	VSM-S 80-160	80	160	12	110
21954650	VSM-S 80-200	80	200	12	150