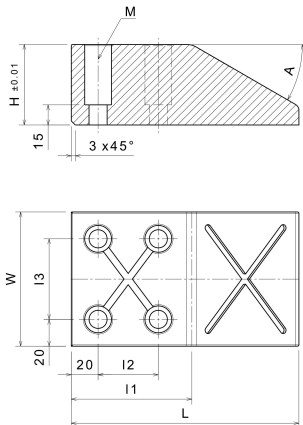


## SES-S

Stroke plate with lubrication groove, steel, hardened



### Product description:

Stroke plate with lubrication groove, steel, hardened

### Article properties:

|                       |                              |
|-----------------------|------------------------------|
| Base Material         | Steel, hardened              |
| Sliding speed v       | 10 m/min                     |
| Self-lubricating      | No                           |
| Surface Pressure P    | 30 N/mm <sup>2</sup>         |
| P*v-value             | 60 N/mm <sup>2</sup> x m/min |
| Operating temperature | -50°C / +200°C               |

### Variants:

| Articlenumber | Article name     | Width W | Length L | Height H | I1 | I2 | I3  | M (ISO 4762) | a   |
|---------------|------------------|---------|----------|----------|----|----|-----|--------------|-----|
| 21214801      | SES-S 100-130-30 | 100     | 130      | 30       | 95 | 50 | 60  | M12          | 30° |
| 21214802      | SES-S 100-150-45 | 100     | 150      | 45       | 90 | 45 | 60  | M12          | 30° |
| 21214803      | SES-S 100-170-60 | 100     | 170      | 60       | 90 | 45 | 60  | M12          | 30° |
| 21214804      | SES-S 125-130-30 | 125     | 130      | 30       | 95 | 50 | 85  | M12          | 30° |
| 21214805      | SES-S 125-150-45 | 125     | 150      | 45       | 90 | 45 | 85  | M12          | 30° |
| 21214806      | SES-S 125-170-60 | 125     | 170      | 60       | 90 | 45 | 85  | M12          | 30° |
| 21214807      | SES-S 150-130-30 | 150     | 130      | 30       | 95 | 50 | 110 | M12          | 30° |
| 21214808      | SES-S 150-150-45 | 150     | 150      | 45       | 90 | 45 | 110 | M12          | 30° |
| 21214809      | SES-S 150-170-60 | 150     | 170      | 60       | 90 | 45 | 110 | M12          | 30° |