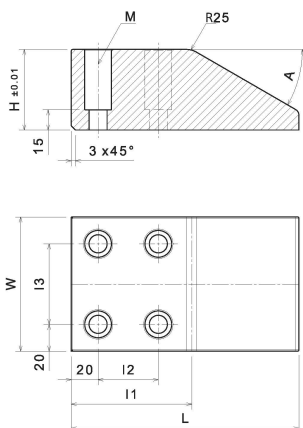


# VTK-A

Stroke plate according to VDI 3357



## Product description:

Stroke plate according to VDI 3357

## Article properties:

Sliding speed v	30 m/min
Base Material	Hard bronze
Self-lubricating	No
Surface Pressure P	125 N/mm <sup>2</sup>

## Variants:

Articlenumber	Article name	Width W	Length L	Height H	Angle a	I1	I2	I3	M (ISO 4762)
21214800100	VTK-A 100-170-45	100	170	45	20°	90	45	60	4xM12
21214800110	VTK-A 125-170-45	125	170	45	20°	90	45	85	4xM12
21214800120	VTK-A 150-170-45	150	170	45	20°	90	45	110	4xM12
21214800140	VTK-A 100-150-45	100	150	45	30°	90	45	60	4xM12
21214800150	VTK-A 100-170-60	100	170	60	30°	90	45	60	4xM12
21214800160	VTK-A 125-150-45	125	150	45	30°	90	45	85	4xM12
21214800170	VTK-A 125-170-60	125	170	60	30°	90	45	85	4xM12
21214800180	VTK-A 150-150-45	150	150	45	30°	90	45	110	4xM12
21214800190	VTK-A 150-170-60	150	170	60	30°	90	45	110	4xM12