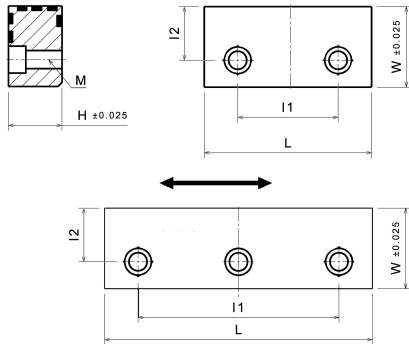


3GLF

Plate with 3 sliding surfaces, self lubricating



Product discription:

Plate with 3 sliding surfaces, self lubricating

Article properties:

Sliding speed v	30 m/min
Base Material	Special Brass (SO#50SP2)
Self-lubricating	Yes
Lubricant	Graphite
Surface Pressure P	100 N/mm ²
P*v-value	200 N/mm ² x m/min
Operating temperature	-50°C / +200°C (max. 300°C)
Friction coefficient	0,07

Variants:

Articlenumber	Article name	Width W	Length L	Height H	I1	I2	M (ISO 4762)
22071230	3GLF 70-125-32	70	125	32	75	40	2xM12
22071530	3GLF 70-150-32	70	150	32	100	40	2xM12
22072030	3GLF 70-200-32	70	200	32	150	40	3xM12
22091240	3GLF 90-125-45	90	125	45	75	55	2xM16
22091540	3GLF 90-150-45	90	150	45	100	55	3xM16
22092040	3GLF 90-200-45	90	200	45	150	55	3xM16