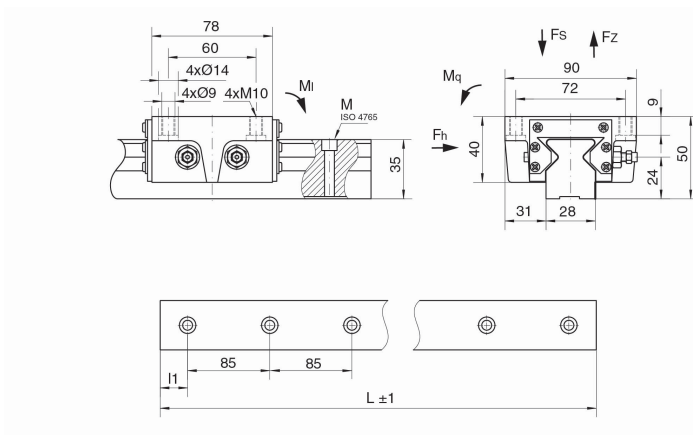


# LG-011, slide block

LG-011, slide block



## Product discription:

LG-011, slide block

## Article properties:

Self-lubricating	Yes
Lubricant	Graphite
Base Material	Special Brass (SO#50SP2)

## Variants:

Articlenumber	Article name	Fs (kN)	Fz (kN)	Fh (kN)	Mq (Nm)	MI (Nm)
70110010	LG-011-H	16	16	13	270	540