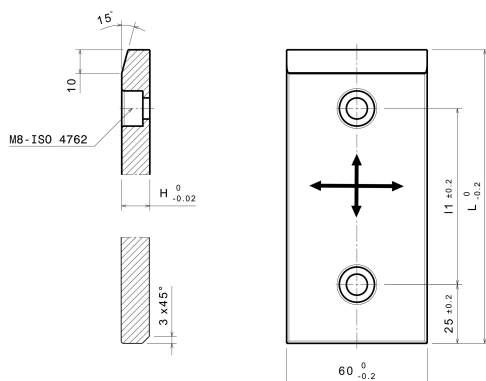


VSM-S

Gleitplatten nach VDI 3357, selbstschmierend



Produktbeschreibung:

Gleitplatten nach VDI 3357, Stahl gehärtet

Artikeleigenschaften:

| | |
|------------------|-----------------|
| Basismaterial | Stahl, gehärtet |
| Selbstschmierend | Nein |

Variantentabelle:

| Artikelnummer | Artikelbezeichnung | Breite W | Länge L | Höhe H | l1 |
|---------------|--------------------|----------|---------|--------|-----|
| 21954410 | VSM-S 30-80 | 30 | 80 | 12 | 30 |
| 21954420 | VSM-S 30-100 | 30 | 100 | 12 | 50 |
| 21954430 | VSM-S 30-125 | 30 | 125 | 12 | 75 |
| 21954440 | VSM-S 30-160 | 30 | 160 | 12 | 110 |
| 21954450 | VSM-S 30-200 | 30 | 200 | 12 | 150 |
| 21954460 | VSM-S 40-80 | 40 | 80 | 12 | 30 |
| 21954470 | VSM-S 40-100 | 40 | 100 | 12 | 50 |
| 21954480 | VSM-S 40-125 | 40 | 125 | 12 | 75 |
| 21954490 | VSM-S 40-160 | 40 | 160 | 12 | 110 |
| 21954500 | VSM-S 40-200 | 40 | 200 | 12 | 150 |
| 21954510 | VSM-S 50-80 | 50 | 80 | 12 | 30 |
| 21954520 | VSM-S 50-100 | 50 | 100 | 12 | 50 |
| 21954530 | VSM-S 50-125 | 50 | 125 | 12 | 75 |
| 21954540 | VSM-S 50-160 | 50 | 160 | 12 | 110 |
| 21954550 | VSM-S 50-200 | 50 | 200 | 12 | 150 |
| 21954560 | VSM-S 60-80 | 60 | 80 | 12 | 30 |
| 21954570 | VSM-S 60-100 | 60 | 100 | 12 | 50 |
| 21954580 | VSM-S 60-125 | 60 | 125 | 12 | 75 |
| 21954590 | VSM-S 60-160 | 60 | 160 | 12 | 110 |
| 21954600 | VSM-S 60-200 | 60 | 200 | 12 | 150 |
| 21954610 | VSM-S 80-80 | 80 | 80 | 12 | 30 |
| 21954620 | VSM-S 80-100 | 80 | 100 | 12 | 50 |
| 21954630 | VSM-S 80-125 | 80 | 125 | 12 | 75 |
| 21954640 | VSM-S 80-160 | 80 | 160 | 12 | 110 |
| 21954650 | VSM-S 80-200 | 80 | 200 | 12 | 150 |